

# PRODUCTION COMPRESSOR MODEL NUMBER SIGNIFICANCE CHART

0	6	E	A	1	5	0	6	0	0
1	2	3	4	5	6	7	8	9	10

09E SEMI HERMETIC RECIP COMPRESSOR

4 TH DIGIT SUCTION CUTOFF UNLOADING

4 TH DIGIT VARIATION		
HOT GAS BY PASS UNLOADING		
A	NO UNLOADER	
B	ELEC UNLOADER	1 STEP
C		2 STEP
D	PRESS UNI CADFR	1 STEP
E		2 STEP
F	NO UNLOADER	
J	ELEC UNLOADER	1 STEP
K	ELEC UNLOADER	2 STEP
L	PRESS UNLOADER	1 STEP
N	PRESS UNLOADER	2 STEP
M	MED TEMP - NO UNLOADERS	
R	REFRIG - NO UNLOADERS	

SEE NOTE

6TH & 7TH DIGIT COMPRESSOR SIZE				
NO. CYL	STD PROD	LONG STROKE STD CLEAR	LONG STROKE HI CLEAR	SHORT STROKE
4	50 CFM	55 CFM	50 CFM	
6	75 CFM	80 CFM		85 CFM

8TH DIGIT ELECTRICAL	
1	575-3-60
2	200-1-60
3	208/230-460-3-60
4	208-3-60
5	230-3-60
6	400/480-3-50/60
7	230-1-60
8	230-3-60
9	220/380-3-60
0	208/230-3-60
A	400/480-3-50/60
B	220-3-60

3 TH DIGIT VARIATION	
0	CEM MODEL
1	ELECTRICAL REDESIGN
2	NOT USED
3	1ST REDESIGN LONG STROKE COASE
4	2ND RESIGN RBT SHAW MTR PROTECT
5	NOT USED
6	COMPR MODEL LESS MTR PROT
7	MEDIUM TEMP RBT SHAW MTR PROT
8	EUROPEAN - WITH OIL

**NOTE:**  
"I" THRU "N" MODELS HAVE A REVERSED CENTER CYL HEAD. (8 CYL ONLY)  
SERVICE COMPRESSORS ARE NOT AVAILABLE WITH THIS TYPE HEAD. RETAIN HEAD FROM ORIGINAL COMPRESSOR.

5 TH DIGIT USAGE		
0	LIGHT DUTY COMPRESSOR MEDIUM DUTY COMPRESSOR	
1	OR COMPRESSOR UNIT TONNAGE	
2	HEAVY DUTY COMPRESSOR	
3	HFC LIGHT DUTY COMPRESSOR	LESS OIL
4	HFC MEDIUM DUTY COMPRESSOR	LESS OIL
5	HFC HEAVY DUTY COMPRESSOR	LESS OIL
6	NOT USED YET	
7	Mar R MODEL, NO OIL (1) STEP ELECTRIC SCOU	
8	SPECIAL ORDER	
9	NOT USED YET	

10TH DIGIT PACKAGING	
0	MODEL NO.
1	SINGLE PACK (LESS VALVES)
2	MULTI PACK DOMESTIC
3	SINGLE PACK w/ VALVES & MTG KIT
4	MULTI PACK EXPORT
5	PALLETIZED (LESS VALVES)
6	CSA CONTAINER
7	PALLETIZED (w/ VALVES)
9	MULTI PACK (MC MINN)
A	HFC PKG (SINGLE w/ VALVES)
B	SINGLE PACK EXPORT
C	SINGLE PKG EXP w/ VALVES & MTG KIT
D	HFC PKG EXP SINGLE PKG w/ VALVES

220-3-60	UNIT DESIGNED FOR USE ON	198 TO 242 V
360-3-60	UNIT	312 TO 418 V
575-3-60	UNIT	518 TO 660 V
480-3-60	UNIT	414 TO 528 V
230-3-60	UNIT	198 TO 284 V
230-3-60	UNIT	198 TO 284 V
400-3-60	UNIT	312 TO 457 V
200-3-60	UNIT	180 TO 229 V

# SERVICE COMPRESSOR MODEL NUMBER SIGNIFICANCE CHART

0	6	E	A	1	5	0	6	0	0
1	2	3	4	5	6	7	8	9	10

06E SEMI HERMETIC RECIP COMPRESSOR

4 TH DIGIT VARIATION	
T	SERVICE COMPR w/ (1) BLOCKED SUCTION OUT-OFF UNLOADER HEAD. REPLACES 2,3,4,5,6,7,8, & 9 PRODUCTION MODELS.
X	SERVICE COMPR w/ (1) BLOCKED HOT GAS BY-PASS UNLOADER HEAD. REPLACES A,B,C,D,E,F,J,K,L & N.
Y	SVCE COMPR-REFRIGERATION REPLACES "R" PRODUCTION COMPRESSOR.
7	SVCE COMPR-MEDIUM TEMP REPLACES "M" PRODUCTION COMPRESSOR.

8TH & 7TH DIGIT COMPRESSOR SIZE				
NO. CYL	STD PROD	LONG STROKE STD CI FAR	LONG STROKE HI CI FAR	SHORT STROKE
4	50 CFM	66 CFM	80 CFM	
6	75 CFM	99 CFM		66 CFM

8TH DIGIT ELECTRICAL	
1	575-3-60
2	200-1-60
3	208/230-480-3-60
J	208-3-60
6	230-3-60
8	400/480-3-60-60
7	230-1-60
8	230-3-60
9	230/380-3-60
n	208/230-3-60
A	400/480-3-60-60
B	220-3-60

9TH DIGIT VARIATION	
1	THERMOTECTOR PROTECTION OLD STYLE CRANKCASE
2	NEW MANUF SRVC COMPR
3	FUTURE USE
4	REMAN SRVC COMPR LOW TEMP
5	OLD STYLE CASE ROBERT SHAW SENSORS & TAPPED CYL HEADS MTR PROT KIT REQ'D FOR THERMOT
6	REMANUFACTURED SRVC COMPR
7	REMAN SRVC COMPR MED TEMP

**NOTE :**  
"F" THRU "N" MODELS HAVE A REVERSED CENTER CYLINDER HEAD. (8 CYLINDER ONLY) SERVICE COMPR'S ARE NOT AVAILABLE WITH THIS TYPE HEAD. RETAIN HEAD FROM ORIGINAL COMPR.

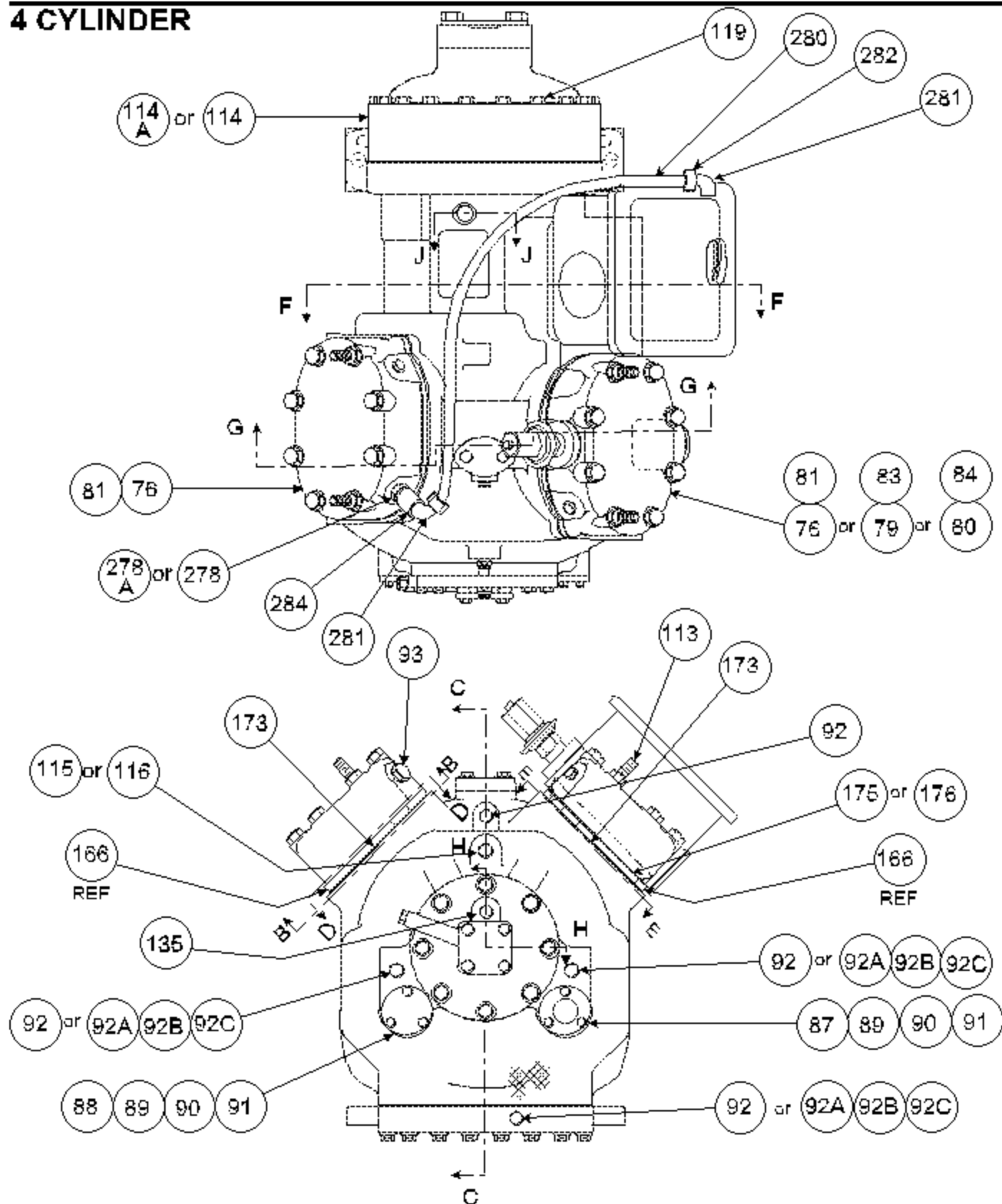
IF ORIGINAL COMPR HAS A "3,5,7, OR 9" IN 4TH POS. OF A SCOU MODEL OR C,E,K,N,U, OR W FOR HGBP YOU MUST RETAIN (1) UNLOADER HEAD ASSY FROM THE ORIGINAL COMPR AND TRANSFER TO SERVICE REPLACEMENT.

10TH DIGIT PACKAGING	
0	MODEL NO.
1	SINGLE PACK (LESS VALVES)
2	MULTI PACK DOMESTIC
3	SINGLE PACK w/ VALVES & MTG KIT
4	MULTI PACK EXPORT
5	PALLETIZED (LESS VALVES)
6	CSA CONTAINER
7	PALLETIZED (w/ VALVES)
8	MULTI PACK (MC MINN)
A	HFC PKG (SINGLE w/ VALVES)
B	SINGLE PACK EXPORT
C	SINGLE PKG EXP w/ VALVES & MTG KIT
D	HFC PKG EXP SINGLE PKG w/ VALVES

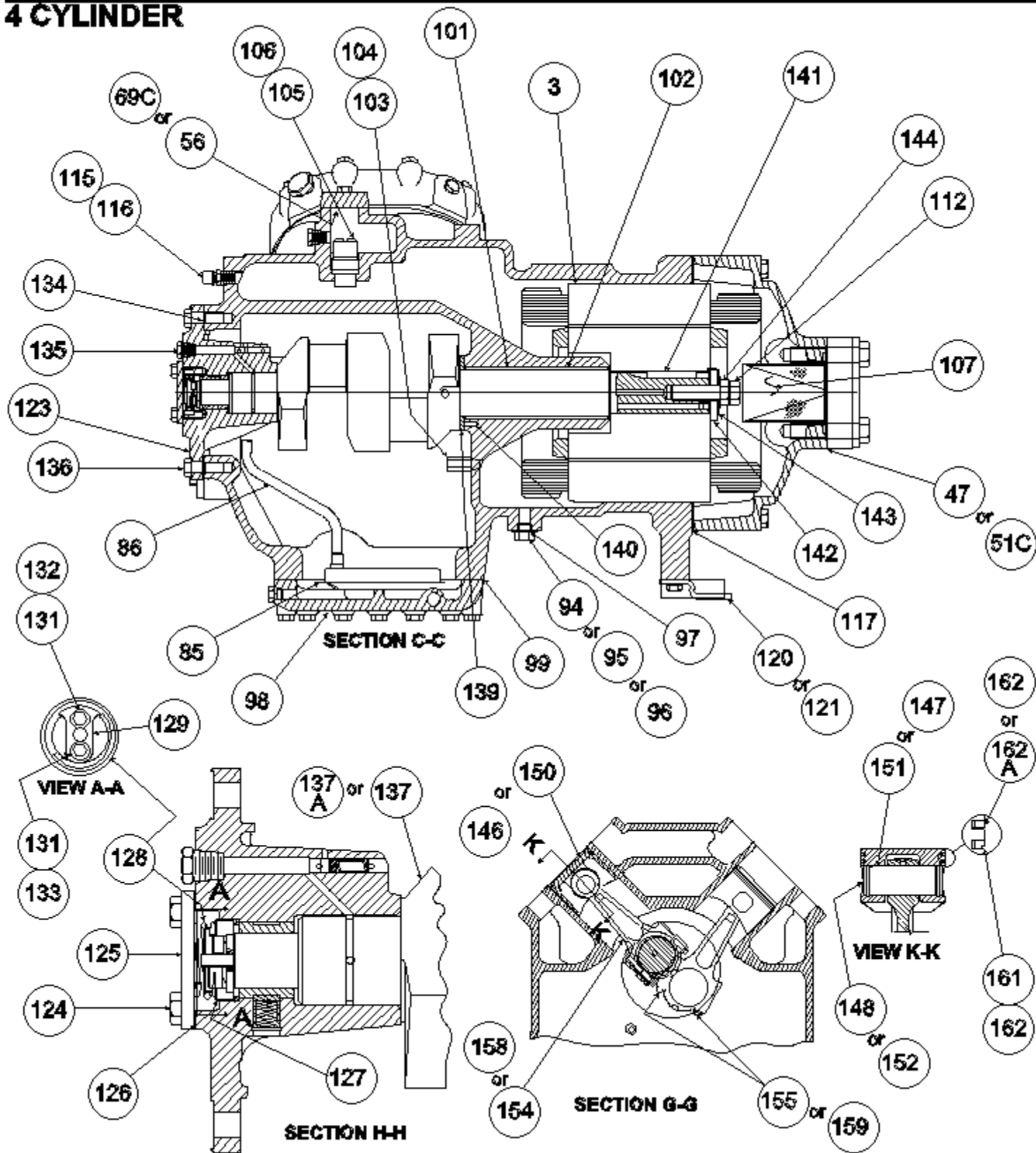
5TH DIGIT USAGE	
0	LIGHT DUTY COMPR MEDIUM DUTY COMPR
1	OR COMPR UNIT TONNAGE
2	HEAVY DUTY COMPR
3	HFC LIGHT DUTY COMPR LESS OIL
4	HFC MED DUTY COMPR LESS OIL
5	HFC HEAVY DUTY COMPR LESS OIL
6	NOT USED YET
7	M or R MODEL, NO OIL (1) STEP ELECTRIC SCOU
8	SPECIAL ORDER
9	NOT USED YET

220-3-50 UNIT	↓	198 TO 242 V
380-3-50 UNIT	↓	342 TO 418 V
575-3-60 UNIT	↓	518 TO 660 V
460-3-60 UNIT	↓	414 TO 576 V
230-3-60 UNIT	↓	198 TO 264 V
230-3-50 UNIT	↓	198 TO 264 V
400-3-50 UNIT	↓	342 TO 457 V
200-3-60 UNIT	↓	180 TO 228 V

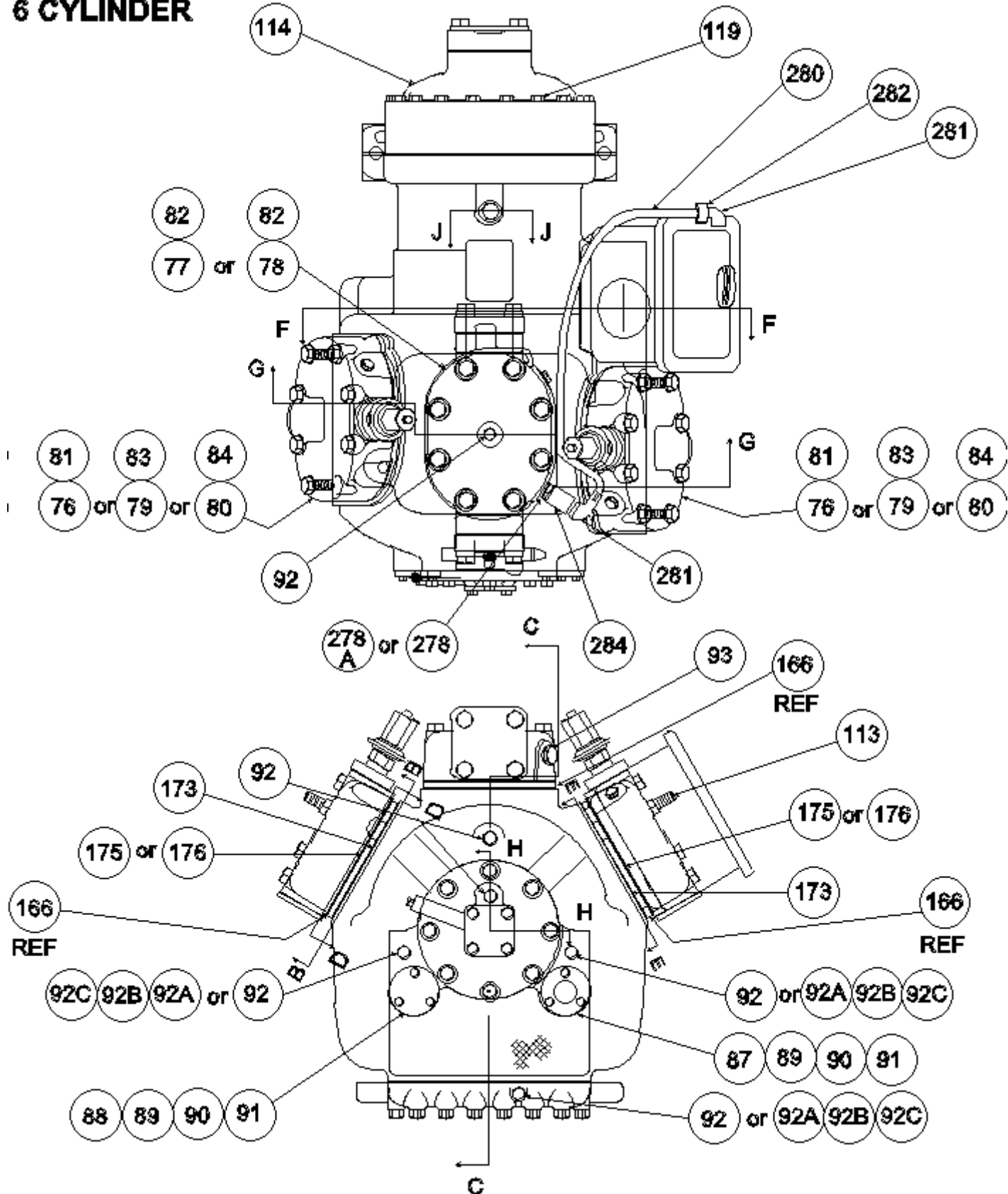
### 4 CYLINDER



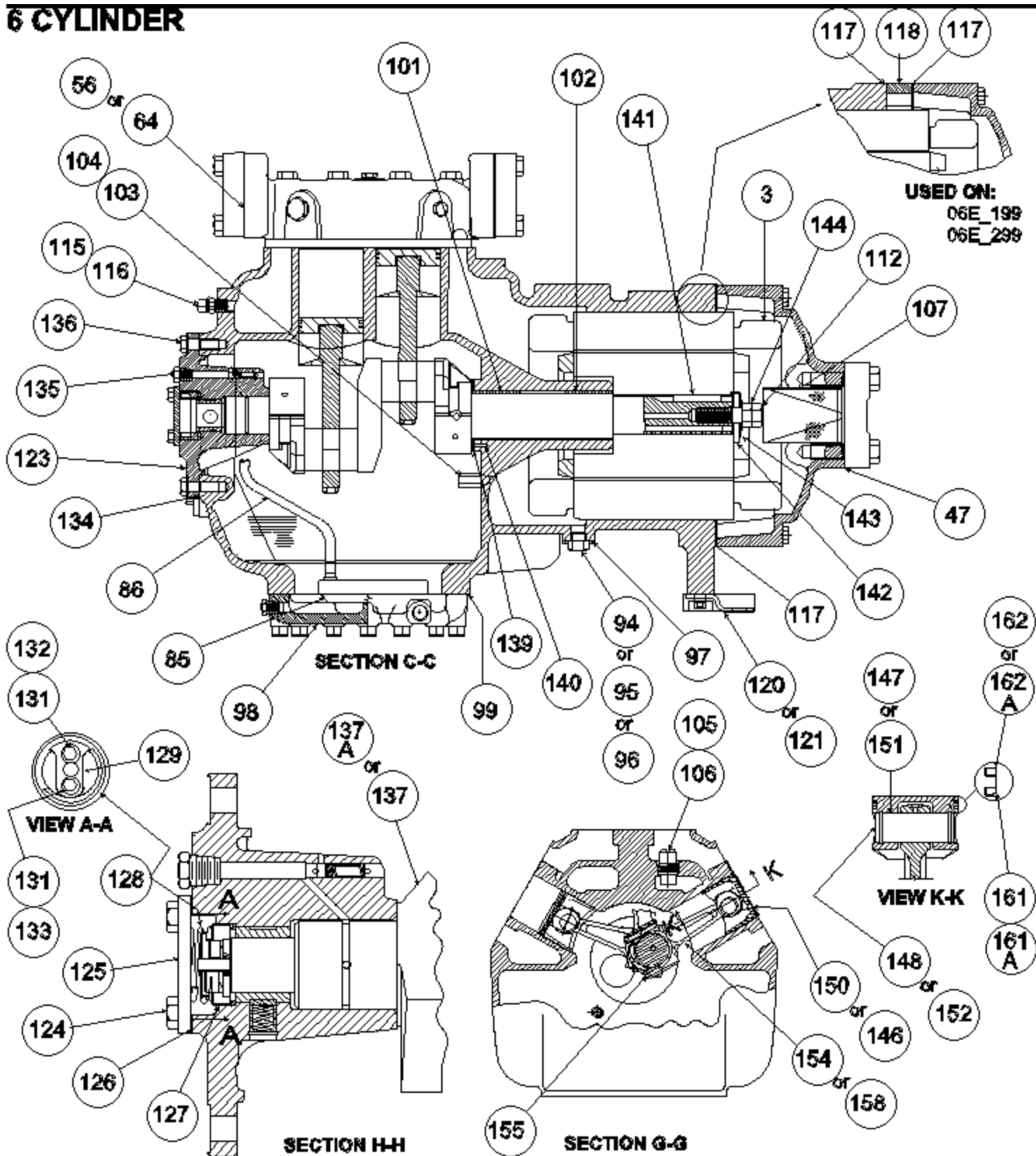
# 4 CYLINDER



# 6 CYLINDER



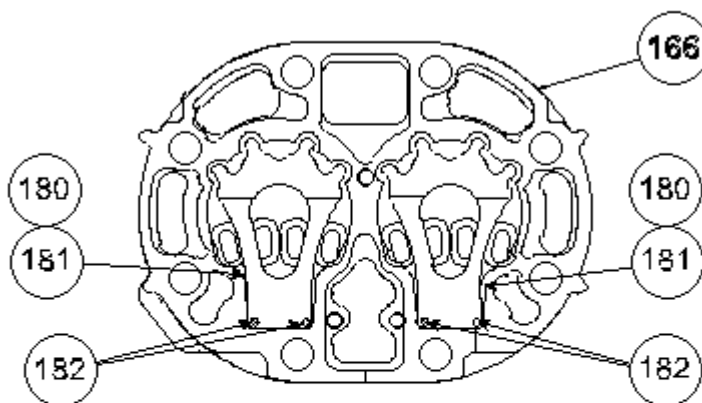
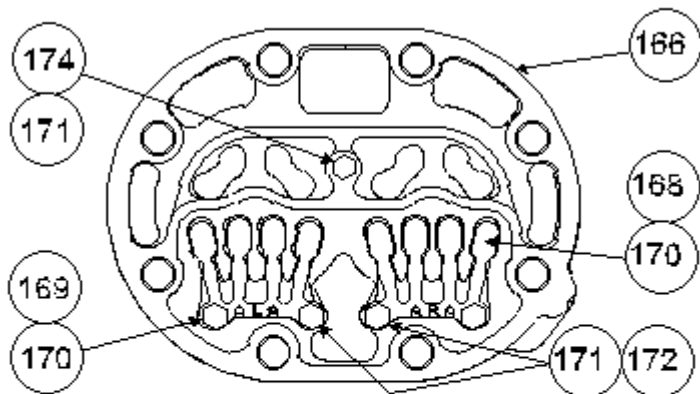
# 6 CYLINDER



### 4 OR 6 CYLINDER

06EX,T  
(AIR COND. MED. TEMP)

06EX,T  
(AIR COND. MED. TEMP)



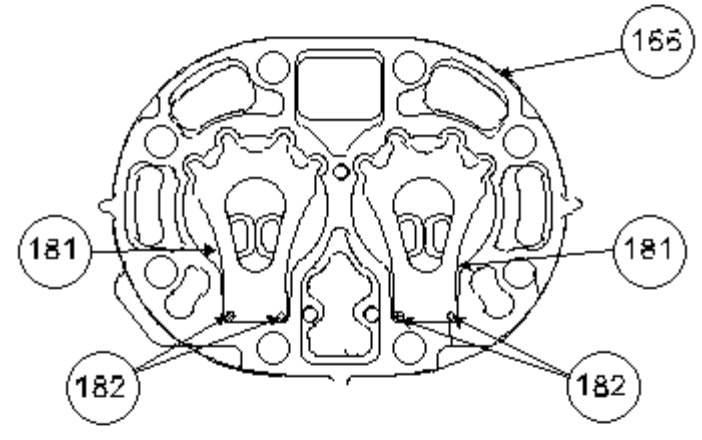
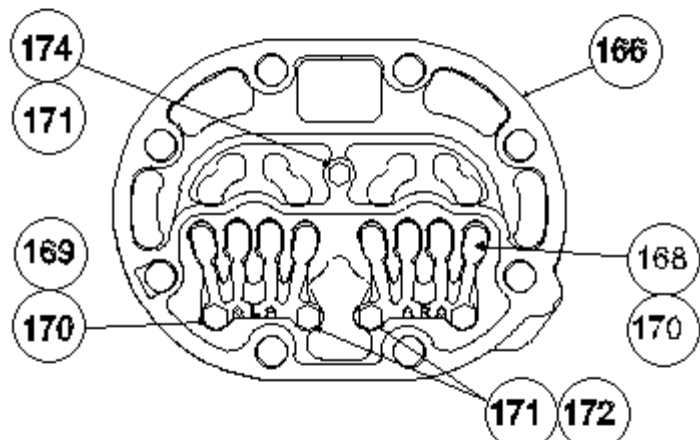
(TOP VIEW)

(CURRENT STYLE HI-EFF. VALVE PLATE)

VIEW B-B

(BOTTOM VIEW)

NON-UNLOADING

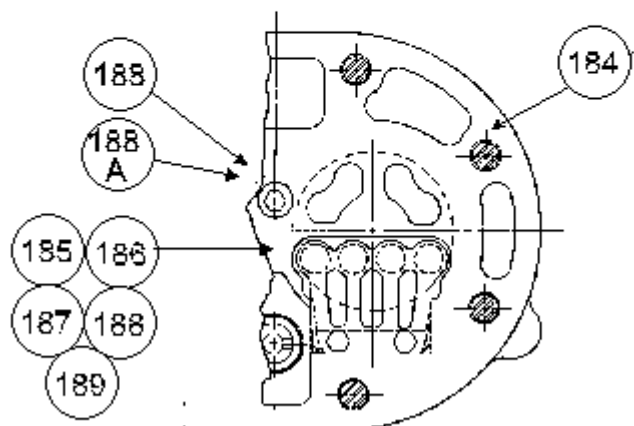


(TOP VIEW)

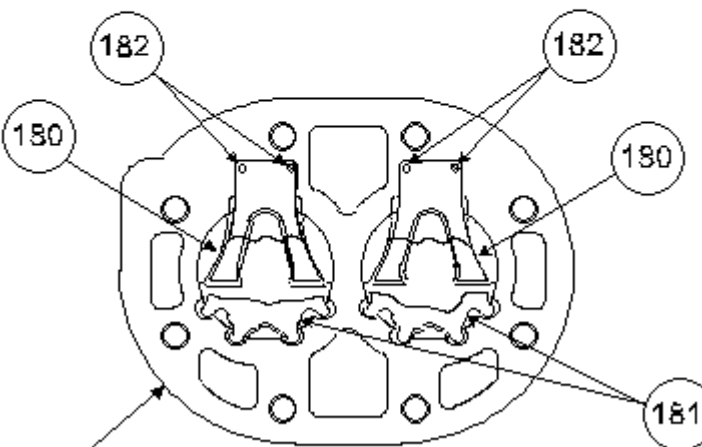
VIEW D-D

06ER (REFRIGERATION)

(BOTTOM VIEW)



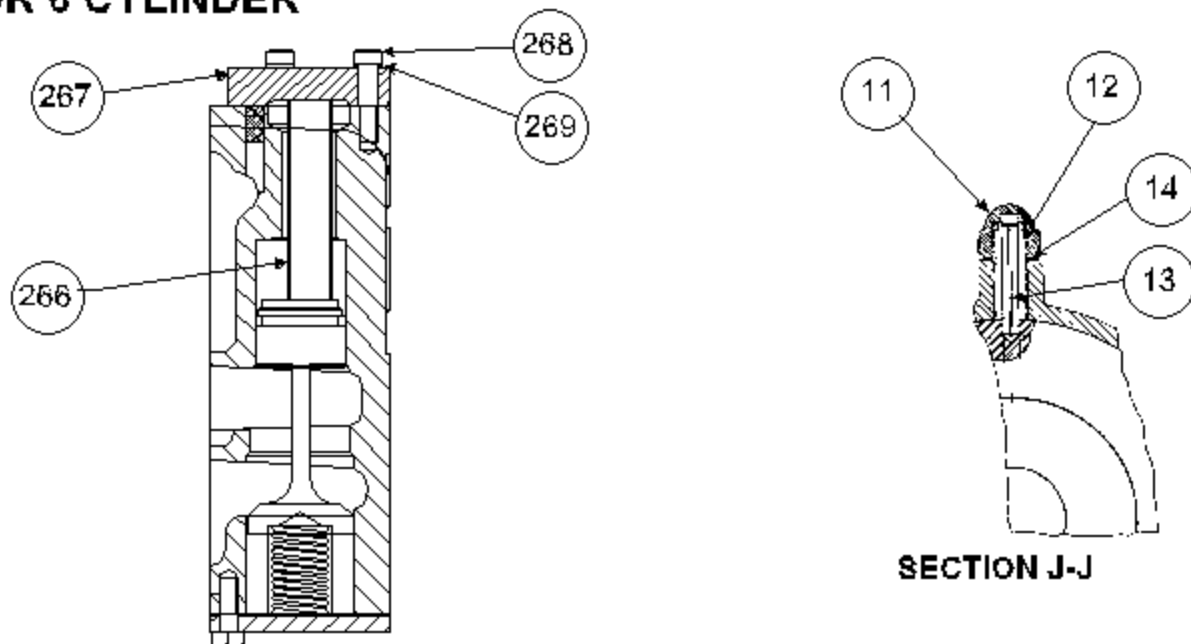
(REFRIG STD EFF VALVE PLATE)



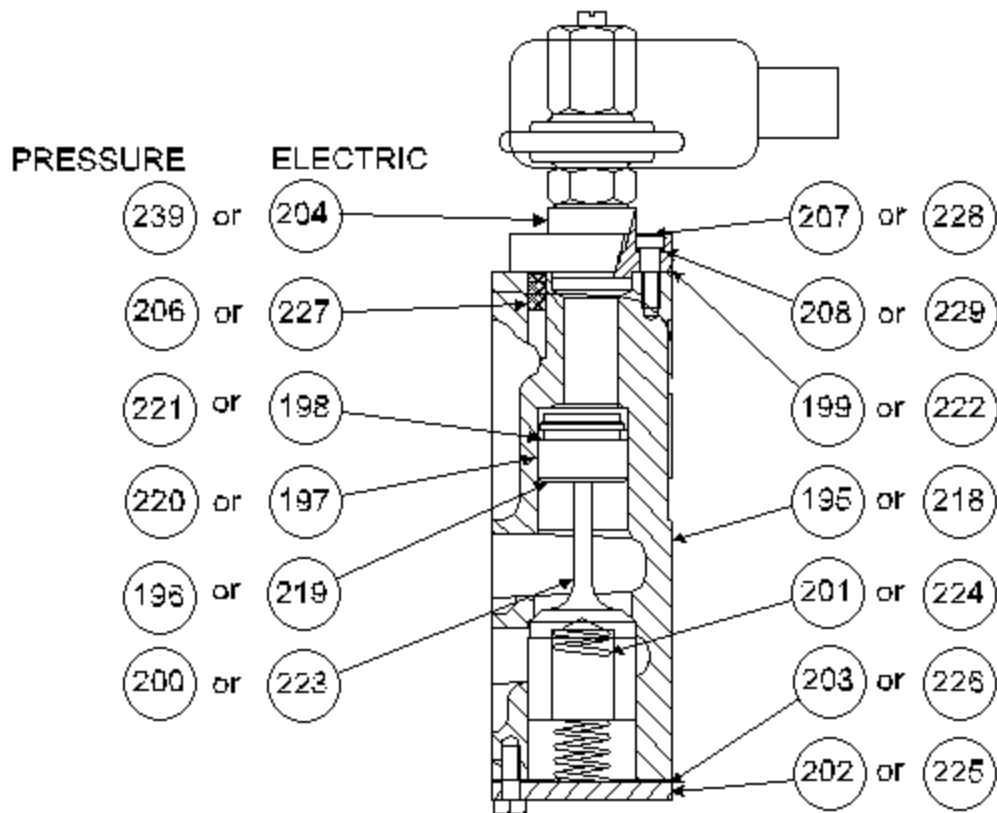
CYLINDER DECK

VIEW E-E

**4 OR 6 CYLINDER**



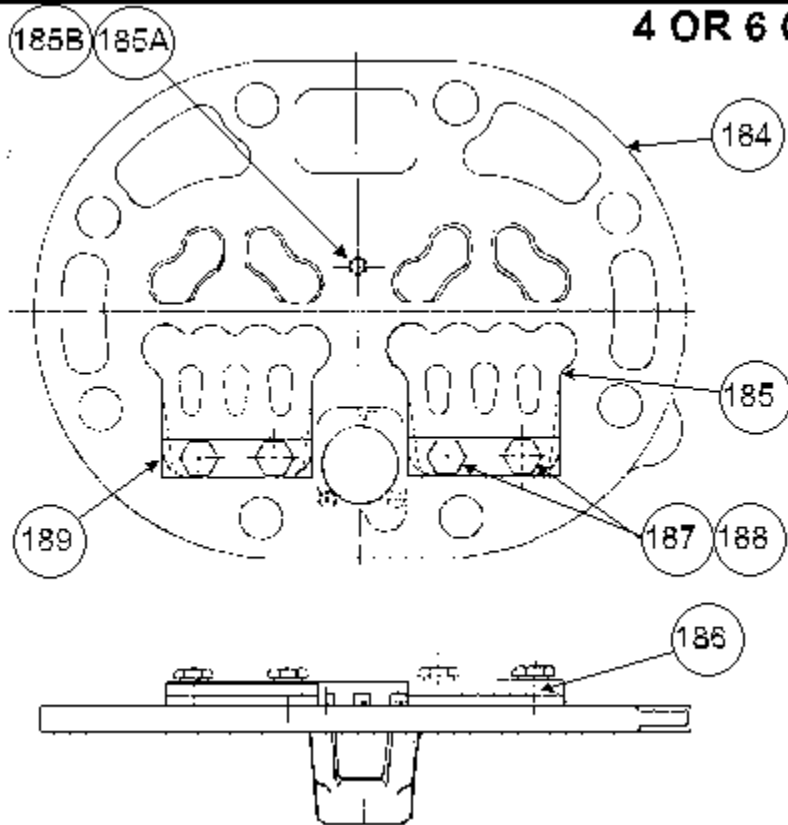
**SUCTION CUTOFF UNLOADER BLOCKING**



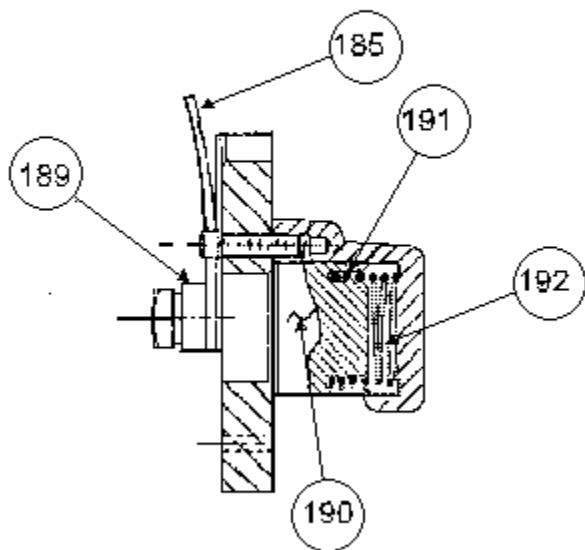
**SUCTION CUTOFF UNLOADER**



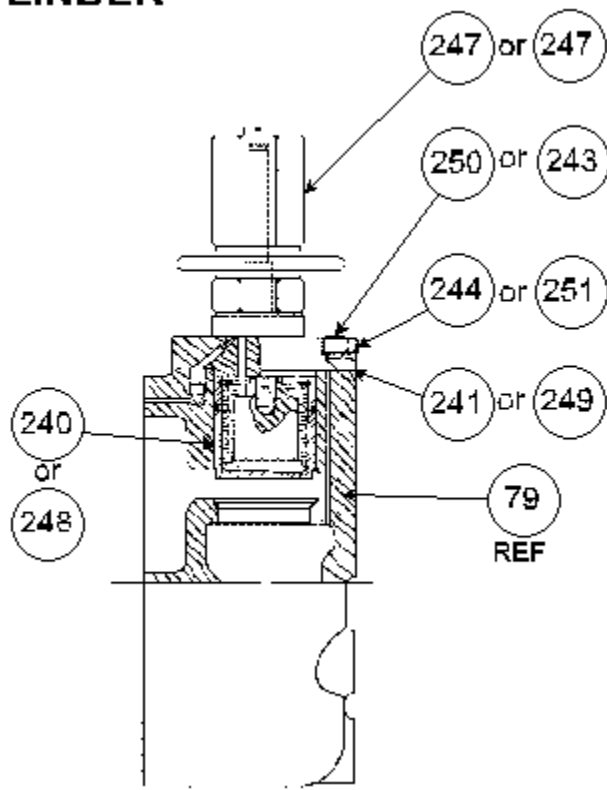
**4 OR 6 CYLINDER**



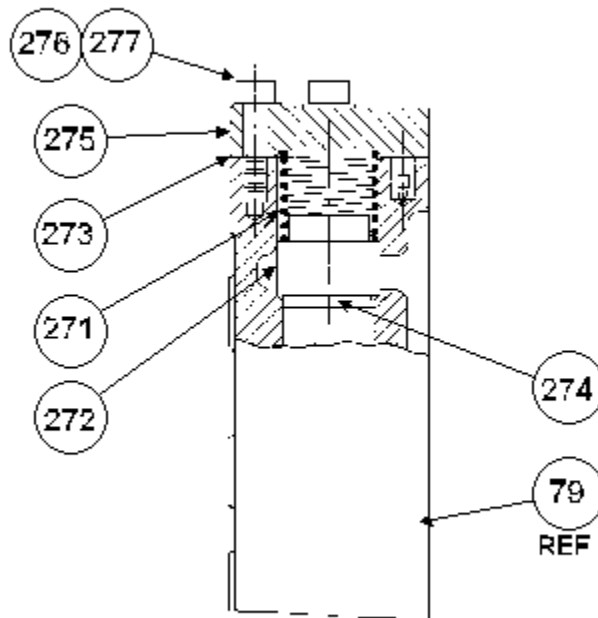
**HOT GAS BYPASS VALVE PLATE**



**HOT GAS BYPASS VALVE PLATE CHECK VALVE**

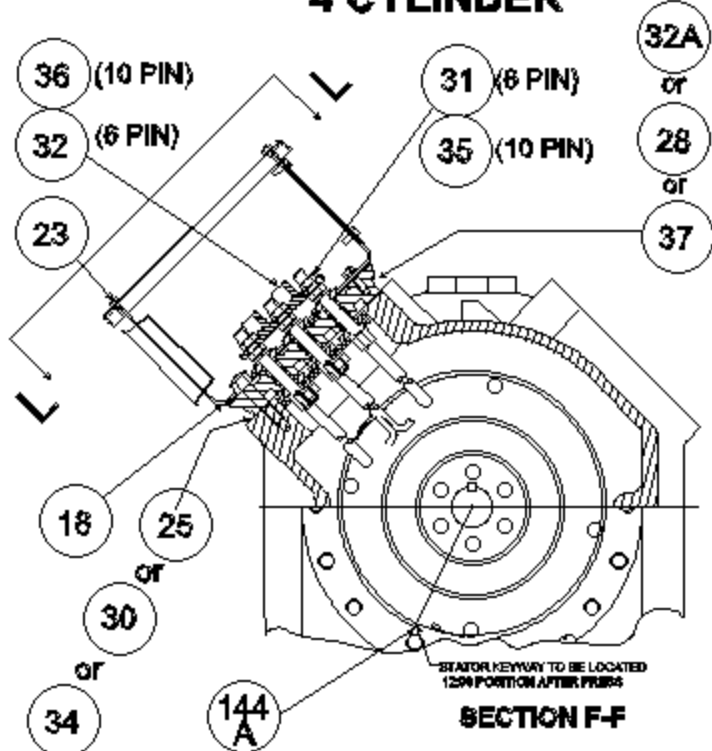


**HOT GAS BYPASS CYLINDER HEAD**

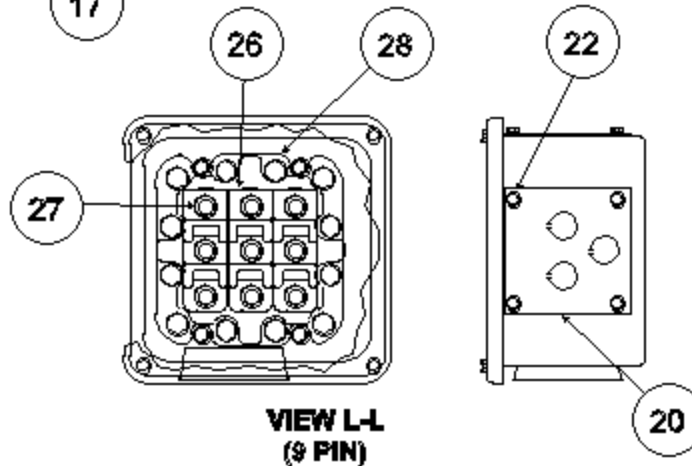
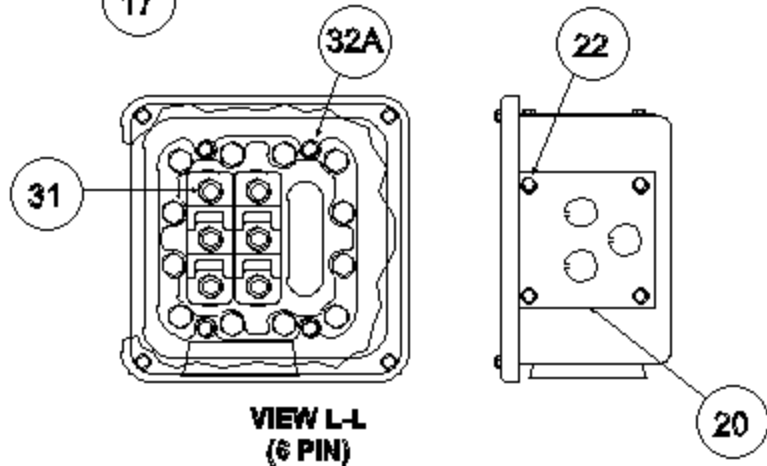
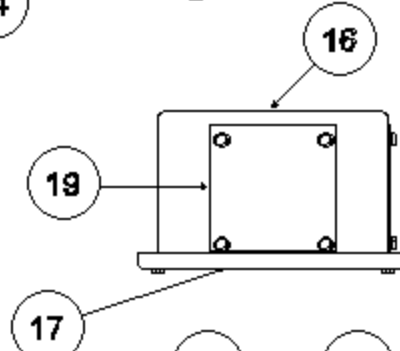
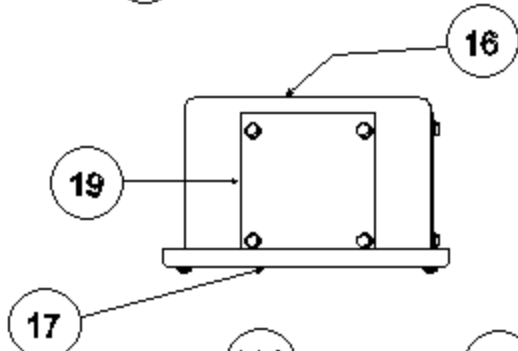
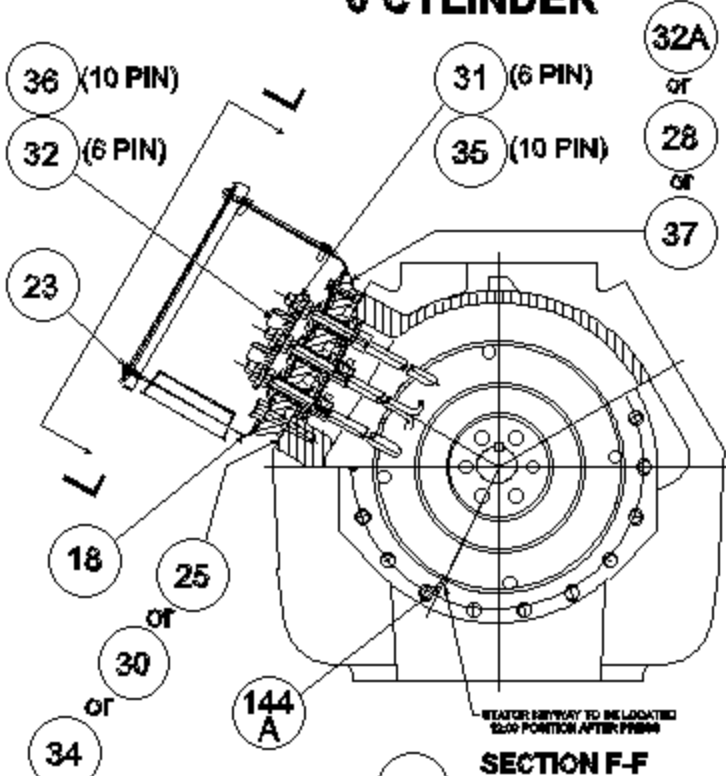


**HOT GAS BYPASS BLOCKING**

### 4 CYLINDER



### 6 CYLINDER



TERMINAL PLATE AND BOX CONFIGURATION FOR DISCRETE VOLTAGE COMPRESSORS

TERMINAL PLATE AND BOX CONFIGURATION FOR DUAL VOLTAGE COMPRESSORS

Model 06E.150/450.....

Description 4 CYL AIR CONDITIONING/MEDIUM TEMP RECIPROCATING COMPRESSOR, 4 CYL/15 HP

Itm#	Qty	Rec	Part Number	Description
1A	1	-	06EX150160	A/C STD-EFF (EX) 575-3-60
1B	1	-	06EX150360	A/C STD-EFF (EX) 208/230-3-60
1C	1	-	06EX150360	A/C STD-EFF (EX) 400/460-3-50/60 XL
1D	1	-	06EX150660PW	A/C STD-EFF (EX) 400/460-3-50/60 PW
1E	1	-	06ET150160	A/C HI-EFF (ET) 575-3-60
1F	1	-	06ET150320	A/C HI-EFF (ET) 208/230-3-60
1G	1	-	06ET150320	A/C HI-EFF (ET) 400/460-3-50/60 XL
1H	1	-	06ET150660PW	A/C HI-EFF (ET) 400/460-3-50/60 PW
1J	1	-	06EZ450170	MED/HI-TEMP (EZ) 575-3-60 (NO OIL)
1K	1	-	06EZ450370	MED/HI-TEMP (EZ) 208/230-3-60 (NO OIL)
1L	1	-	06EZ450370	MED/HI-TEMP (EZ) 400/460-3-50/60 XL NO OIL
1M	1	-	06EZ450670PW	MED/HI-TEMP (EZ) 400/460-3-50/60 PW NO OIL: NOTE: SEE TOP RIGHT OF COMPRESSOR NAME PLATE FOR MOTOR NUMBER.
1N	1	-	06EZ450170	MED/HI TEMP (EZ) NO OIL 575-3-60
1P	1	-	06EZ450370	MED/HI TEMP (EZ) NO OIL 208/230-3-60
1Q	1	-	06EZ450370	MED/HI TEMP (EZ) NO OIL 400/460-3 XL
1R	1	-	06EZ450670PW	MED/HI TEMP (EZ) NO OIL 400/460-3 PW
3	1	-	06ED445174	COMPRESSOR MOTOR 575-3-60
3A	1	-	06EX445314	COMPRESSOR MOTOR 208/230-3-60 NOTE
3B	1	-	06EX445314	COMPRESSOR MOTOR 400/460-3-50/60 XL: NOTE: 06E-----54 MOTORS HAVE 6 POWER LEADS & 4 R/S SENSOR CONNECTIONS. 06EX-----14 HAVE 9 POWER LEADS FOR MULTIVOLT APPLICATION. 06EX-----74 MOTORS HAVE 6 POWER LEADS. REFER TO PMB87-13 FOR WIRING REQUIREMENTS FOR THE MULTIVOLT COMPRESSOR MOTOR 06EX---314. THIS MOTOR REQUIRES A 9 PIN TERMINAL PLATE 06EA660087 & JUMPER BAR KIT 06EA660041 FOR 208/230 XL OR PW & 460 XL WIRING. THIS MOTOR IS NOT FOR 460 PW USE. FOR 400/460-3-50/60 PW USE THE 06EX---654 LISTED UNDER YOUR COMPRESSOR SIZE. THIS MOTOR REQUIRES THE 06EA660051 10 PIN TERMINAL PLATE PACKAGE.
3C	1	-	06EX445654	COMPRESSOR MOTOR 400/460-3-50/60 PW
11	1	-	AT27MA363	NUT, ACORN 3/4-16
12	1	-	06EA500211	BUSHING, MOTOR LOCKING PIN
13	1	-	AX14CP235	PIN, MOTOR LOCKING ROLL
14	1	-	AU51YA012	GASKET, ACORN NUT (3/4")
15	1	-	06EA660095	TERMINAL BOX & COVER PACKAGE: INCLUDES: ITEMS 16 - 32
16	1	-	NSS	> TERMINAL BOX
17	1	-	NSS	> COVER, TERM BOX (W/LABELS)
18	1	-	06EA502553	> GASKET, TERMINAL BOX
19	1	-	NSS	> PLATE, COVER (NO KO'S)
20	1	-	NSS	> PLATE, COVER (3 KO'S)
21	1	-	NSS	> PLATE, COVER (NESTED KO'S)
22	16	-	NSS	> SCREW, THREAD CUTTING
23	4	-	NSS	> SCREW, LOCK (1/4-28)
24	1	-	06EA660087	TERMINAL PLATE PACKAGE (9 PIN PLATE): INCLUDES: ITEMS 25 - 28
25	1	-	06EA502523	> GASKET, TERMINAL PLATE
26	6	-	06LA500282	> BLCK, CONNECTOR (3 PIN FLAT) (BROWN)
26A	3	-	06EA500672	> BARRIER, PHASE (3 PIN) (BLACK)
27	18	-	NSS	> NUT, STEEL JAM
28	1	-	NSS	> PLATE ASSY, TERMINAL (9 PIN)
29	1	-	06EA660125	TERMINAL PLATE PACKAGE (6 PIN PLATE): INCLUDES: ITEMS 30 - 32
30	1	-	06EA502523	> GASKET, TERMINAL PLATE
31	12	-	NSS	> NUT, STEEL JAM
32	2	-	06EA500672	> BARRIER, PHASE (3 PIN)
32A	1	-	NSS	> PLATE ASSY, TERMINAL (6 PIN)
33	1	-	06EA660051	TERM PLT PKG (6 PWR PINS/4 ROBT SHAW): INCLUDES: ITEMS 34 - 37
34	1	-	6G451082	> GASKET, TERMINAL PLATE
35	12	-	NSS	> NUT, STEEL JAM (3/8-16)

Itm#	Qty	Rec	Part Number	Description
36	2	-	06EA500672	> BARRIER,PHASE (3 PIN)
37	1	-	NSS	> PLATE ASSY,TERMINAL(10 PIN)
38	1	-	HY85TB008	TERM LUGS(6 PAC)(#8-#4 WIRE)
39	1	-	06EA660141	JUMPER BAR KIT(SEE PMB 87-13): INCLUDES: ITEMS 40 - 44
40	3	-	NSS	> BAR,JUMPER (2 HOLE)
41	1	-	NSS	> BAR,JUMPER (3 HOLE)
42	1	-	06LA500282	> BLOCK CONNECTOR (3 PIN)
43	9	-	NSS	> NUT,STEEL JAM
44	1	-	NSS	> LABEL,WIRING
45	1	R	06EA660090	SUCTION VALVE PACKAGE (AIR/COND): INCLUDES: ITEMS 46 - 53
46	1	-	NSS	> SERVICE VALVE,(1 5/8 ODS,4 BLT)
47	1	R	6D681131	> GASKET,SERVICE VALVE
48	4	-	NSS	> SCREW,HEX HEAD CAP
49	1	-	EN99ZA006	> CAP,VALVE (MUELLER)
49A	1	-	EN99ZA013	> CAP,VALVE (HENRY)
50	1	-	EN99ZA103	> GASKET,VALVE CAP(MUELLER)
51	1	R	06EA660091	SUCTION VALVE PACKAGE (MED TEMP): INCLUDES: ITEMS 51B - 51K
51B	1	-	NSS	> SERVICE VALVE(2 1/8 ODS,4 BLT)
51C	1	R	6G651061	> GASKET,VALVE
51D	4	-	NSS	> SCREW,HEX HEAD CAP
51E	1	-	EN99ZA009	> CAP,VALVE (MUELLER)
51F	1	-	EN99ZA022	> CAP,VALVE (HENRY)
51G	1	-	EN99ZA009	> GASKET,VALVE CAP (MUELLER)
51I	1	-	EM99AA516	> ADAPTER,TAILPIECE(MUELLER)
51J	1	-	EM99GA516	> GASKET,ADAPTER (MUELLER)
51K	1	-	EM99FA516	> FLANGE,COMPANION (MUELLER)
54	1	R	06DA660064	DISCHARGE VALVE PACKAGE (A/C): INCLUDES: ITEMS 55 - 60A
55	1	-	NSS	> VALVE,SERVICE(1 1/8 ODS,2 BLT)
56	1	R	6D401131012	> GASKET,SERVICE VALVE
57	2	-	NSS	> SCREW,HEX HEAD CAP
58	1	-	EN99ZA006	> CAP,VALVE (MUELLER)
58A	1	-	EN99ZA013	> CAP,VALVE (HENRY)
60	1	-	EN99ZA103	> GASKET,VALVE CAP(MUELLER)
69	1	R	06DA660064	DISCHARGE VALVE PACKAGE (MED TEMP): INCLUDES: ITEMS 69B - 69H
69B	1	-	NSS	> VALVE,SERVICE (1 1/8 ODS,2 BLT)
69C	1	R	6D401131012	> GASKET,VALVE
69D	2	-	NSS	> SCREW,HEX HEAD CAP
69E	1	-	EN99ZA006	> CAP,VALVE (MUELLER)
69F	1	-	EN99ZA013	> CAP,VALVE (HENRY)
69G	1	-	EN99ZA103	> GASKET,VALVE CAP(MUELLER)
73	1	-	PH23QK016	PAINT,SPRAY (SEA FOAM GREEN)
73A	1	-	313974-751	PAINT,SPRAY (AMER STER GREY)
74	1	R	06EA660071	GASKET PKG (A/C)(EA-EW/EX/ET)(SEE NOTE): NOTE:GSKT PKG DOES NOT CONTAIN ANY GSKTS OR PARTS TO SERVICE VLV PLTS. ORDER 2 06EA660104 TO OBTAIN THESE PARTS.
76	2	-	06EA502064	HEAD,CYLINDER (SIDE) W/1/4"& 1/2"NPT
79	1	-	06EA500304	HEAD,UNLOADER CYL(H G B P)(HEAD ONLY)
80	1	-	06EA503524	HEAD,UNLOADER CYL(S C O U)(HEAD ONLY)
81	1	R	06EA503304	GASKET,CYLINDER HEAD (NON-UNLOADING)
83	1	R	06EA503314	GASKET,CYLINDER HEAD (H G B P)
84	1	R	06EA503334	GASKET,CYLINDER HEAD (S C O U)
85	1	-	6D40103	SCREEN ASSY,OIL FILTER
86	1	-	06EA500233	TUBE,OIL SUCTION
87	1	R	06EA402403	GLASS,OIL SIGHT (W/OUT O-RING): Note: must also purchase o-ring item #89.
88	1	-	06EA501212	COVER,BLANK OFF (W/OUT O-RING): Note: must also purchase o-ring item #89.

Itm#	Qty	Rec	Part Number	Description
89	2	-	KK71GW015	"O" RING (USED FOR IT #87 & #88)
90	6	-	AB06GS169	SCREW,HEX HEAD CAP
91	6	-	NSS	WASHER,LOCK 1/4"
92	6	-	CA63AA051	PLUG,PIPE 1/4" NPT
92A	1	-	05GA501762	PLUG,OIL DRAIN (7/16-20 SAE)
92B	1	-	DE14CA126	ADAPTER (7/16-20 SAE X 1/4 FPT)
92C	2	-	KK71EW904	"O" RING (FOR 92A/92B/96)
93	3	-	CA63AA151	PLUG,PIPE 1/2" NPT
94	1	-	5H401141	PLUG,OIL BYPASS 5/8-18 UNF
95	1	-	5F201311	ADAPTER (1/4" FPT TO 5/8-18)
96	1	-	CA99AA101	DRAIN PLUG,MAGNETIC 5/8-18
97	1	-	AU51YA011	WASHER,GASKET 5/8"
98	1	-	6D681274	COVER,BOTTOM
99	1	-	6D681043	GASKET,BOTTOM COVER
100	1	-	AS81VF056	BRACKET,CRANKCASE HEATER: NOTE; THE CRANKSHAFT BEARINGS LISTED ARE NOT A FINISHED PART AND REQUIRE ADDITIONAL MACHINING TO HAVE PROPER I.D AFTER INSTALLATION IN CRANKCASE.PRECISION MACHINING TO A FINE FINISH IS REQUIRED.
101	1	-	06EA500352	BEARING,MAIN (PUMP END) (SEE NOTE): NOTE: NOT A "FINISHED" BEARING. MUST BE LINE BORED AFTER PRESSING INTO CRANKCASE.
102	1	-	06EA500362	BEARING,MAIN (MOTOR END) (SEE NOTE): NOTE: NOT A "FINISHED" BEARING. MUST BE LINE BORED AFTER PRESSING INTO CRANKCASE.
103	1	-	06EA400982	OIL RETURN ORIFICE ASSY includes
104	1	R	6D75601	> STRAINER
105	1	R	EB51FN272	VALVE,INTERNAL RELIEF(1 1/8-18)BRASS
106	1	R	6G651251	GASKET,INTERNAL RELIEF VALVE
107	1	R	06DA402133	STRAINER ASSY,SUCTION
112	1	-	6D40162	VALVE ASSY,CHECK (SHAFT END): NOTE; CHECK VALVE IS INSTALLED IN ROTOR BOLT IN MOTOR END UNDER SUCT VALVE WHEN COMPRESSORS ARE INTERCONNECTED. SEE PMB89-82.
113A	1	-	06EA500342	SPACER,RING (3/4" WIDE) NOTE: NOTE: RING SPACER USED IN OLDER MODEL COMPRESSORS.REMOVE IF CHANGING MOTORS.
114	1	-	06EA502224	CVR,MTR END (AIR COND) (2 1/2 VLV MTG)
114A	1	-	06EA500094	CVR,MTR END (MED TEMP)(3 1/16 VLV MTG)
115	1	-	06DA403844	VALVE ASSEMBLY
116	1	-	99CC409372	CAP,VALVE
117	1	R	6F251013	GASKET,MOTOR END COVER
119	18	-	AA06GS271	BOLT,MOTOR END COVER MTG
120	1	-	06EA500052	FOOT,COMPRESSOR (AIR/COND)
121	1	-	06EA501172	FOOT,COMPRESSOR (MED TEMP)(EM/EZ)
122	1	R	06EA660157	BEARING HEAD & OIL PUMP PKG: INCLUDES: ITEMS 123 - 136 NOTE: BEARING HEAD HAS A 1/4" NPT CONN FOR AN OIL SAFETY SWITCH WHICH IS NOT INCLUDED IN PACKAGE.(SEE ITEM # 289) A TRANSDUCER KIT IS ALSO AVAILABLE. (SEE IT # 319)
123	1	-	NSS	> BEARING HEAD ASSEMBLY: INCLUDES: ITEMS 124 - 133
124	4	-	AA06GR199	> > SCREW,HEX HEAD
125	1	-	7J16002	> > COVER,PUMP END
126	1	R	6D401061	> > GASKET,PUMP END COVER
127	1	-	6D401171	> > GUIDE VANE,OIL FEED
128	1	-	6D401112	> > SPRING,OIL FEED GUIDE VANE
129	1	-	05KA404093	> > DRIVE SEGMENT,OIL PUMP
130	4	-	AU51YA003	> > WASHER,CAPSCREW
131	2	-	NSS	> > SCREW,SOCKETHEAD CAP
132	1	-	NSS	> > LOCKWASHER
133	1	-	NSS	> > LOCKWASHER
134	1	R	06EA501513	> GASKET,BEARING HEAD
135	1	-	CA63AA051	> PLUG,PIPE 1/4 NPT
136	8	-	AA06BR262	> SCREW,HEXHEAD CAP
136A	1	-	05GA502142	FILL PLUG (3/8-24 SAE)
136B	1	-	KK71EW904	"O" RING (FOR 136A)
137	1	-	06EA401993	CRANKSHAFT ASSY(INC'LS HDW'R)

Itm#	Qty	Rec	Part Number	Description
137A	1	-	06EA401993S1	CRANKSHAFT ASSY (-.010 DIA): NOTE: UNDERSIZED C'RANK SHAFTS CAN BE I.D.'D BY AN "A" STAMPED ON PUMP END OF SHAFT OR BY REFERRING TO DETAIL "S" IN PICTORIAL SECTION OF THIS CATALOG.COMPRESSOR MODEL NUMBER ALSO WILL SHOW AN "A" SUFFIX.
139	1	-	06EA500101	WASHER,BEARING (3"DIA. BRONZE)
140	1	-	AX13AA091	PIN,CRANKSHAFT SPIROL
141	1	-	AW01DA224	KEY,ROTOR
142	1	-	06EA500171	PLATE WASHER,ROTOR (2 1/4 DIA)
143	1	-	06EA500141	LOCKWASHER,ROTOR (5 POINT)
144	1	-	06EA500341	BOLT,ROTOR LOCK includes
144A	1	-	06EA500661	> KEY,STATOR LOCKING(2" LG)
145	4	-	06EA660109	PISTON & PIN PACKAGE: INCLUDES: ITEMS 146 - 148
146	1	-	NSS	> PISTON (2 STEP CONTOUR)
147	1	-	06EA500111	> PIN,PISTON
148	2	-	06EA500131	> RING,PISTON PIN RETAINING: NOTE: QUANTITY OF OVERSIZED PISTONS REQUIRED IS DETERMINED BY NUMBER OF CYLINDERS WITH A .020 STAMPED ON CYLINDER DECK ADJACENT TO EACH OF ANY OVERSIZED CYLINDERS. CHECK ALL.ONLY 1 OR 2 MAY BE OVERSIZE.COMPRESSOR MODEL NUMBER WILL ALSO HAVE A "B" SUFFIX.
149	1	-	06EA660111	PISTON & PIN PACKAGE (+.020 DIA): INCLUDES: ITEMS 150 - 152
150	1	-	NSS	> PISTON (2 STEP CONTOUR)
151	1	-	06EA500111	> PIN,PISTON
152	2	-	06EA500131	> RING,PISTON PIN RETAINING: NOTE: CONN ROD PACKAGE MAY CONTAIN EITHER A DIE CAST OR PERM MOLD ROD. THESE CAN BE MIXED IN A COMPRESSOR WITH NO PROBLEMS.
153	4	-	06EA660034	CONN ROD & CAP PACKAGE: INCLUDES: ITEMS 154 - 155
154	1	-	NSS	> CONN ROD & CAP
155	2	-	06EA502223	> SCREW,SELF LOCK SCKT CAP
157	4	-	06EA660086	CONN ROD & CAP PACKAGE (-.010 DIA): INCLUDES: ITEMS 158 - 159
158	1	-	NSS	> CONN ROD & CAP
159	2	-	06EA502223	> SCREW,SELF LOCK SCKT CAP
161	4	-	06EA500331	RING,OIL (NOTCHED) (LOWER)
161A	4	-	06EA500331S2	RING,OIL (NOTCHED)(+.020 DIA): NOTE: DETERMINE IF OVERSIZED RINGS ARE REQUIRED BY NOTE ON ITEM # .
162	4	-	06EA500321	RING,COMPRESSION (UPPER)
162A	4	-	06EA500321S2	RING,COMPRESSION (+.020 DIA): NOTE: SEE OIL RING NOTE ABOVE.
164A	1	R	06EA660104	SUCTION VALVE & GASKET PACKAGE: INCLUDES: ITEMS 164A - 164J
164B	2	-	NSS	> SUCTION VALVE (.025 THK)
164C	4	-	06EA501012	> DOWEL PIN
164D	1	-	06EA500992	> WASHER,FLAT 1/4
164E	1	-	06EA501543	> C'SCRW(1/4-28X3/8) (GSKT HOLDDOWN)
164F	2	-	06EA501563	> VALVE BACKER,SUCTION
164G	1	R	06EA503334	> GASKET,CYLINDER HEAD
164H	1	R	06EA506414	> GASKET,VALVE PLATE
164J	1	R	06EA503314	> GASKET,CYLINDER HEAD
165	2	R	06EA660137	VALVE PLT PKG(SINGLE BACKER)(HI-EFF): INCLUDES: ITEMS 166 - 182 NOTE: THIS HI- EFF VALVE PLATE IS USED ON NON-UNLOADING OR SCOU UNLOADING CYLINDER BANKS.
166	1	-	NSS	> VALVE PLATE ASSEMBLY: INCLUDES: ITEMS 168 - 182
168	1	-	NSS	> > VALVE STOP,DISCH (RHT HAND)
169	1	-	NSS	> > VALVE STOP,DISCH (LFT HAND)
170	2	-	NSS	> > DISCHARGE VALVE
171	5	-	06EA500992	> > WASHER,FLAT 1/4"
172	4	-	06EA502593	> > SCR,LOCK(.47"LG /NO WASH REQ'D)
173	1	R	06EA506414	> > GASKET,VALVE PLATE
174	1	-	06EA501543	> > SCREW,LOCK (GSKT HOLDDOWN)
175	1	R	06EA503314	> > GASKET,CYLINDER HEAD (HGBP)
176	1	R	06EA503334	> > GASKET,CYLINDER HEAD (SCOU)

Itm#	Qty	Rec	Part Number	Description
180	2	-	06EA501563	> > BACKER,SUCTION VALVE
181	2	-	NSS	> > SUCT VLV (.025 THK)(SEE IT164A)
182	4	-	06EA501012	> > PIN,DOWEL
183	1	R	06EA660105	VALVE PLATE PACKAGE (HGBP ONLY): INCLUDES: ITEMS 184 - 192
184	1	-	NSS	> VALVE PLATE ASSY: INCLUDES: ITEMS 185 - 192
185	2	-	06EA500682	> STOP,DISCHARGE VALVE
185A	2	-	06EA501563	> BACKER,SUCTION VALVE
185B	2	R	06EA660104	> VALVE,SUCTION (.025 THK)
186	2	-	06EA501363	> VALVE,DISCHARGE
187	4	-	AB06FQ168	> SCREW,POLY LOCK CAP
188	5	-	06EA500992	> WASHER,FLAT 1/4"
188A	1	-	06EA501543	> SCREW,LOCK (GASKET HOLDDOWN)
189	2	-	06EA501302	> SUPPORT,VALVE STOP
190	1	-	06EA500082	> PISTON,CHECK VALVE
191	1	-	06EA500031	> SPRING,CHECK VALVE
192	1	-	06EA500073	> BODY,CHECK VALVE
193	1	R	06EA660138	CAPACITY CONTROL ACCESS (ELEC SCOU): (INCLUDES ITEMS 194-215)
194	1	-	NSS	> CYLINDER HEAD ASSY includes
195	1	-	06EA503524	> > CYLINDER HEAD (UNPAINTED)
196	1	-	06EA402033	> > PISTON ASSY (SINGLE RING): (INCLUDES ITEMS 197-198)
197	1	-	06EA505224	> > > PISTON
198	1	-	06EA502023	> > > RING,SEAL(TEFLON W/SPRING): NOTE: EARLY 2 RING PISTON DESIGN REPLACED BY SINGLE RING TYPE.
199	1	R	06EA501253	> > GASKET,UNLOADER VALVE
200	1	-	NSS	> > BODY,VALVE
201	1	-	06EA660079	> > REWORK KIT PACKAGE: (INCLUDES ITEMS 201A-201G)
201A	1	-	06EA505224	> > > PISTON
201B	1	-	06EA502023	> > > RING,SEAL(TEFLON W/SPRING)
201C	1	-	NSS	> > > BODY,VALVE
201D	1	-	NSS	> > > SPRING,COMPRESSION
201E	1	R	06EA501253	> > > GASKET,UNLOADER VALVE
201F	1	R	06EA501382	> > > GASKET,VALVE COVER
201G	1	R	6D75601	> > > STRAINER
202	1	-	06EA502662	> > COVER,VALVE
203	1	-	06EA501382	> > GASKET,VALVE COVER
204	1	R	06DA405264	> > VALVE BODY ASSY(ALCO)W/O COIL)
206	1	R	6D75601	> > STRAINER
207	7	-	AB44AA168	> > SCREW,SOCKET CAP
208	3	-	AU52YA171	> > GASKET,SOCKET CAP SCREW
209	1	R	06EA503334	> GASKET,CYLINDER HEAD
210	1	R	06EA506414	> GASKET,VALVE PLATE
211	1	-	06EA501543	> CAP SCREW (VLV PLT GSKT)
212	1	-	06EA500992	> WASHER,CAPSCREW
212A	1	R	NSS	> VALVE,SUCTION
214	4	-	AB06GR168	> SCREW,HEXHEAD CAP
215	1	R	06EA501853	> GASKET,VALVE PLATE
216	1	R	48DJAC:06EA660139 .....	CAPACITY CONTROL ACCESS (PRESS SCOU): (INCLUDES ITEMS 217-237)
217	1	-	NSS	> CYLINDER HEAD ASSEMBLY
218	1	-	06EA503524	> CYLINDER HEAD (UNPAINTED)
219	1	-	06EA402033	> PISTON ASSY (SINGLE RING): (INCLUDES ITEMS 220-221)
220	1	-	06EA505224	> > PISTON
221	1	-	06EA502023	> > RING,SEAL (TEFLON W/SPRING): NOTE: EARLY 2 RING PISTON DESIGN REPLACED BY SINGLE RING TYPE.
222	1	R	06EA501253	> GASKET UNLOADER VALVE
223	1	-	NSS	> BODY,VALVE

Itm#	Qty	Rec	Part Number	Description
224	1	-	06EA660079	> REWORK KIT PACKAGE: (SEE ITEM 201)
225	1	-	06EA502662	> COVER, VALVE
226	1	-	06EA501382	> GASKET, VALVE COVER
227	1	R	6D75601	> STRAINER
228	7	-	AB44AA168	> SCREW, SOCKET HEAD CAP
229	3	-	AU52YA171	> GASKET, SOCKET HEAD SCREW
230	1	R	06EA503334	> GASKET, CYLINDER HEAD
231	1	R	06EA506414	> GASKET, VALVE PLATE (MED TEMP)
232	1	-	06EA501543	> CAPSCREW, (VLV PLT GSKT)
233	1	-	06EA500992	> WASHER, CAP SCREW 1/4"
234	1	-	NSS	> VALVE BODY ASSEMBLY
235	4	-	AB06GR168	> SCREW, HEXHEAD CAP
236	2	-	NSS	> VALVE SUCTION (.025"THK)
237	1	R	06EA501853	> GASKET, VALVE PLATE (REFRIG)
238	1	R	06EA660100	CNTR VALVE PKG (PRESS)(HGBP/SCOU): (INCLUDES ITEMS 239-245)
239	1	-	NSS	> CAPACITY CONTROL VALVE (EATON/CCA)
240	1	-	NSS	> PISTON ASSY (FOR HGBP)
241	1	R	06EA501253	> GASKET, UNLOADER
242	1	-	06EA680036	> WRENCH, ALLEN
243	3	-	AB44AA168	> SCREW, SOCKET HEAD CAP
244	3	-	AU52YA171	> GASKET, SOCKET HEAD SCREW
245	1	-	AU61ML201	> LOCKWASHER
246	1	R	06EA660135	CONTROL VALVE PKG (ELEC) (HGBP/SCOU): (INCLUDES ITEMS 247-251)
247	1	-	06DA405264	> VALVE BODY ASSY (LESS COIL)
248	1	-	NSS	> PISTON ASSY (FOR HGBP ONLY)
249	1	R	06EA501253	> GASKET, UNLOADER
250	3	-	AB44AA168	> SCREW, SOCKET HEAD CAP
251	3	-	AU52YA171	> GASKET, SOCKET HEAD SCREW
252	1	R	EF19ZE024	COIL (ALCO) 24-1-50/60
253	1	R	EF19ZE120	COIL (ALCO) 120-1-50/60
254	1	R	EF19ZE240	COIL (ALCO) 240-1-50/60: NOTE: ALCO COILS CAN BE IDENTIFIED BY SNAP CAP HOLDING COIL TO POST.
255	1	R	06EA660135	COIL (CCA) 120-1-50/60
256	1	R	06EA660135	COIL (CCA) 208/240-1-50/60: NOTE: CCA (SINGER) COILS CAN BE ID'D BY HEX NUT HOLDING COIL TO POST.
257	1	-	06EA660079	REWORK KIT PACKAGE (SCOU): (SEE ITEM 201)
265	1	-	06EA660147	BLOCKING KIT PKG(SCOU TO LOADED): (INCLUDES ITEMS 266-269A)
266	1	-	06EA601572	> BLOCKING SLEEVE
267	1	-	06DA501032	> COVER PLATE
268	3	-	AB44AA170	> SOCKET HEAD CAP SCREW
269	3	-	AU62YA171	> GASKET, SOCKET HD CAPSCREW
269A	1	R	06EA501253	> GASKET, COVER PLATE
270	1	-	06DA660113	BLOCKING KIT (HGBP TO LOADED): (INCLUDES ITEMS 271-277)
271	1	-	06DA500061	> SPRING
272	1	-	06DA501072	> PLUG
273	1	-	06EA501253	> UNLOADER VALVE GASKET
274	1	-	06DA500051	> SEAT RING
275	1	-	06DA501032	> COVER PLATE
276	3	-	AB44AA170	> SOCKET HD CAPSCREW
277	3	-	AU52YA171	> GASKET, SOCKET HD CAPSCREW
278	1	-	HN68GA295	SENSOR, THERMAL(DGT)(A/C)(OPEN 295F)
278A	1	R	HN68GA242	SENSOR, THERMAL(DGT)(MEDTEMP)( 295F)
279	1	-	06EA601052	CYL HEAD SENSOR CONDUIT PKG: (INCLUDES ITEMS 280-285)
280	1	-	NSS	> CONDUIT, 3/8
281	2	-	HW62EH106	> CONNECTOR, CONDUIT



Itm#	Qty	Rec	Part Number	Description
282	2	-	HW77EZ011	> SLEEVE,ANTI-SHORT
283	2	-	NSS	> WIRE NUT
284	1	-	CA34BN151	> COUPLING,1/2"PIPE
285	1	-	NSS	> PLATE,WARNING
286	1	C	HN65BJ208	MODULE,PROTECT (R/S)208/240-50/60
287	1	C	HN65BJ120	MODULE.PROTECT (R/S)115-50/60: (INCLUDES: ITEM 288)
288	1	C	HN65BJ115	> MODULE
289	1	C	P529-2110	SWITCH,OIL PRESSURE SAFETY
290	1	C	P527-4322	DUAL PRESS CNTRL(AUTO RESET LO/HI)
291	1	C	P527-1122	PRESS CONTROL (LO PRESS AUTO RESET)
292	1	C	P527-4422	PRESS CONTROL (HI/PRESS MAN RESET)
293	1	R	06EA660165	CRANKCASE HEATER PKG (120 V): (INCLUDES ITEMS 294-294C)
294	1	R	NSS	> HEATER,CRANKCASE (180 W)
294A	1	-	AS81BF056	> SPEEDCLIP
294B	1	-	HW77DZ011	> ANTI-SHORT BUSHING
294C	1	-	38AQ680001	> COMPOUND,HEAT SINK(SILICONE)
295	1	R	06EA660166	CRANKCASE HEATER,PKG (240 V): (INCLUDES ITEMS 296-296C)
296	1	R	NSS	> HEATER,CRANKCASE (180 W)
296A	1	-	AS81VF056	> SPEEDCLIP
296B	1	-	HW77DZ011	> ANTI-SHORT BUSHING
296C	1	-	38AQ680001	> COMPOUND,HEAT SINK(SILICONE)
297	1	R	06DA660076	CRANKCASE HEATER PKG, (480 V): (INCLUDES ITMES 298-301)
298	1	R	HT36DL480	> HEATER,CRANKCASE (125 W)
299	1	-	AS81VF056	> CLIP,HEATER
300	1	-	HW77DZ011	> BUSHING,ANTI-SHORT
301	1	-	38AQ680001	> COMPOUND,HEAT SINK (SILICONE)
302	1	-	06EA660089	COMPRESSOR MOUNTING KIT: (INCLUDES ITEMS 303-309)
303	4	-	06EA500262	> SPRING
304	2	-	50K41221	> CUP,SPRING
305	4	-	06EA680073	> STUD
306	4	-	6D732241	> SNUBBER,RUBBER
307	4	-	6D732251	> CUP,SNUBBER
308	8	-	06EA680069	> NUT,FLANGED
309	4	-	AT61JA241	> NUT,LOCK
310	1	-	06EA660096	COMPRESSOR MOUNTING PLATE PKG: (INCLUDES ITEMS 311-312A)
311	1	-	06EA680072	> PLATE,MOUNTING
312	4	-	30HR0701071	> SPACER
312A	1	-	06DA680039	> TEMPLATE
313	1	-	06EA660127	EQUALIZER LINE ADAPTER PKG: (INCLUDES ITEMS 314-317)
314	2	-	6D40162	> VALVE ASSY,CHECK (C'SHAFT)
315	2	-	06EA500392	> FLANGE,MANIFOLD (1 1/8"CU)
316	2	-	KK71GW015	> "O" RING
317	6	-	AB06BS172	> SCREW,HEX HEAD CAP
318	1	-	06EA500302	MUFFLER PACKAGE
319	1	R	06DA660115	TRANSDUCER KIT (OIL PRESS SFTY SW): (INCLUDES ITEMS 320-332)
320	1	-	06DA660114	> HARDWARE KIT: (INCLUDES ITEMS 321-329)
321	1	-	06EA680078	> > MOUNTING BLOCK
322	1	-	06DA680063	> > GASKET,MOUNTING BLOCK (FIBER)
322A	1	-	06DA504473	> > GASKET,MOUNTING BLOCK (METAL)
323	1	-	DD07UA051	> > HALF UNION COUPLING
324	1	-	DD07DA053	> > HALF UNION COUPLING
325	2	-	CA63AA051	> > PIPE PLUG 1/4"
326	1	-	CA63AA001	> > PIPE PLUG 1/8"



<b>Itm#</b>	<b>Qty</b>	<b>Rec</b>	<b>Part Number</b>	<b>Description</b>
327	1	-	KLE-SL4	> > ALLEN WRENCH 1/16"
328	1	-	NSS	> > SET SCREW
329	4	-	NSS	> > ALLEN HEAD SCREW
330	1	-	06DA404233	> SENSOR & CONTROL
331	1	-	06DA405682	> TUBE ASSEMBLY
332	1	-	DD10CA053	> HALF UNION ELBOW